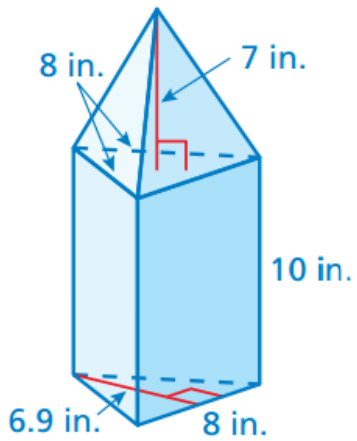
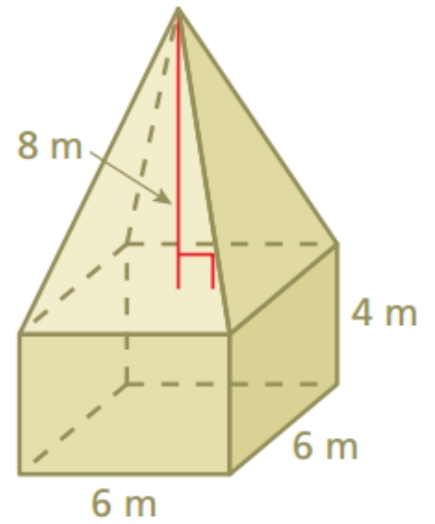
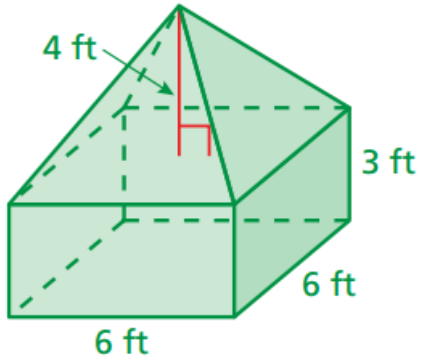


Name _____

Volume of Composite Solids



Name _____

