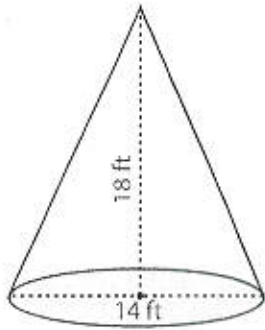


### Volume - Mixed Shapes

ES1

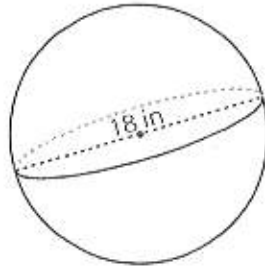
Find the exact volume of each shape.

1)



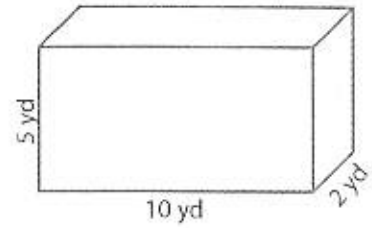
Volume = \_\_\_\_\_

2)



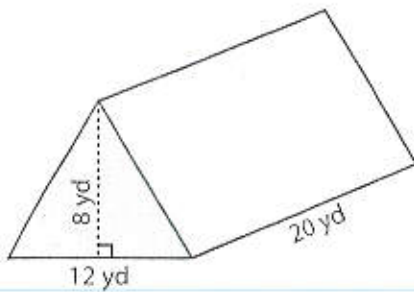
Volume = \_\_\_\_\_

3)



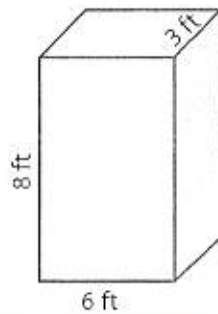
Volume = \_\_\_\_\_

4)



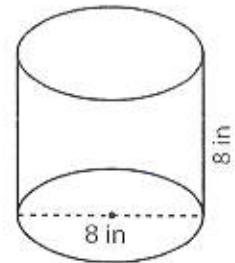
Volume = \_\_\_\_\_

5)



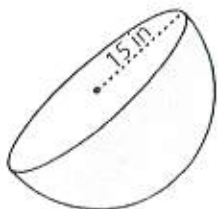
Volume = \_\_\_\_\_

6)



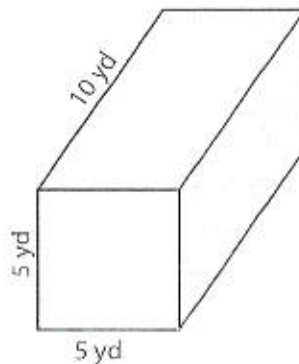
Volume = \_\_\_\_\_

7)



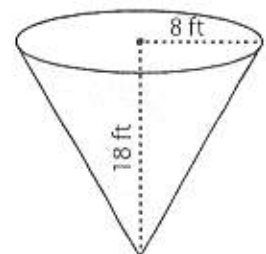
Volume = \_\_\_\_\_

8)



Volume = \_\_\_\_\_

9)

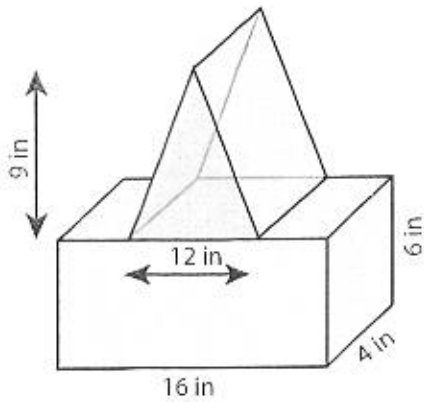


Volume = \_\_\_\_\_

### Volume - Compound Shapes

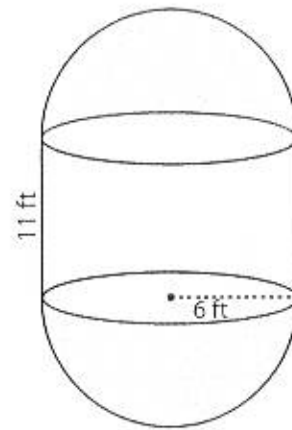
Find the volume of each figure. Round the answer to two decimal places. ( use  $\pi = 3.14$  )

1)



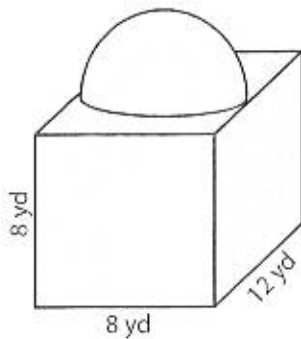
Volume = \_\_\_\_\_

2)



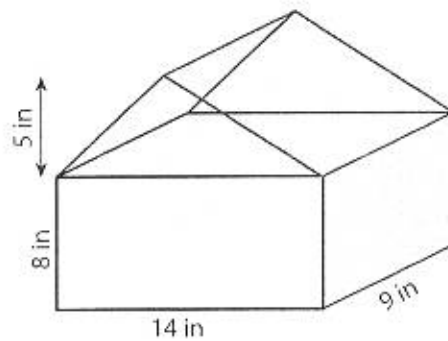
Volume = \_\_\_\_\_

3)



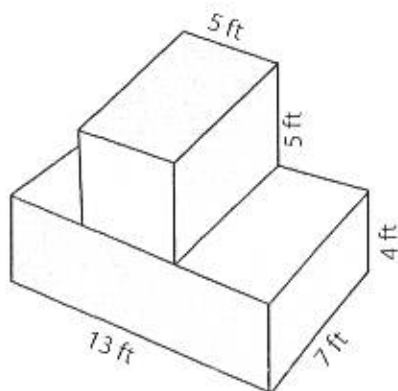
Volume = \_\_\_\_\_

4)



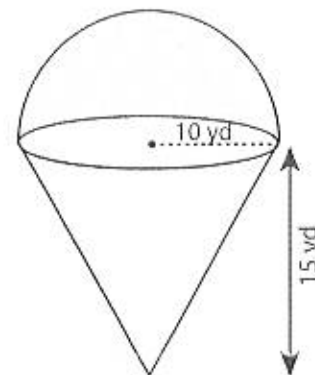
Volume = \_\_\_\_\_

5)



Volume = \_\_\_\_\_

6)



Volume = \_\_\_\_\_